

Bending-COMMON SHAPES-Guide

ROOFING • SIDING • WINDOW/DOOR • CHIMNEY • RESIDENTIAL

Note Before Starting:

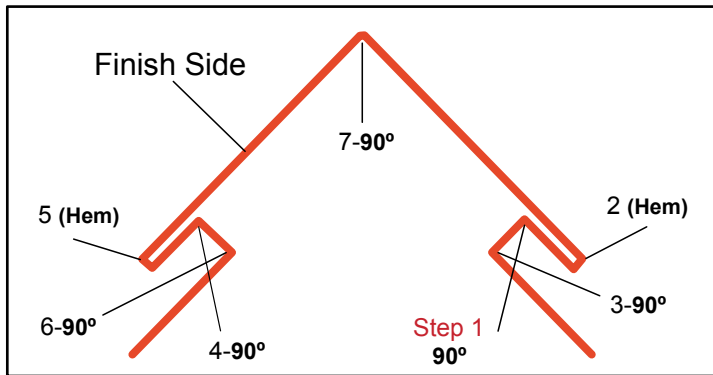
The following are guideline examples of common shapes used by installers everywhere. Practice with scrap pieces until satisfied with your results.

- A. Finish Side refers to the side of the material exposed to the weather.
- B. Except for hems, lines pointing to a particular Step also indicate which side is facing UP, in the brake, during that particular bend.
- C. For help with hems, refer to Making A Hem in next column.

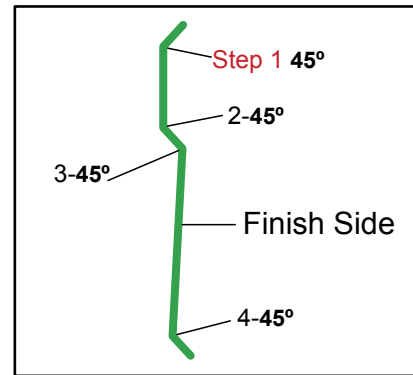
Making A Hem:

1. Align material with outer edge of hinge, lock in place.
2. Bend material as far as brake will allow.
3. Release material from brake and re lock.
4. Lay material flat against F Bar with bent edge between the vinyl strip and the stainless steel strip.
5. Lift the bending hinge until hem is flat.

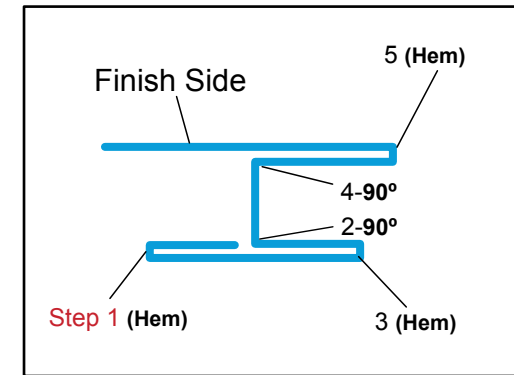
Corner Post



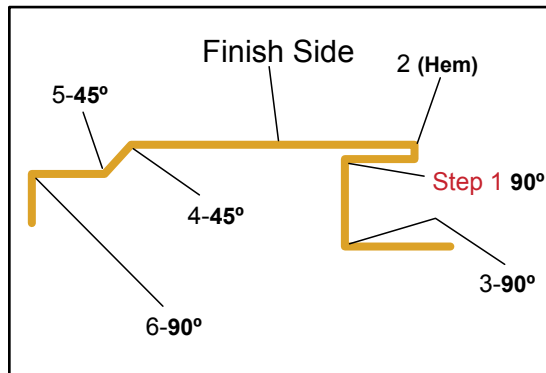
Flashing



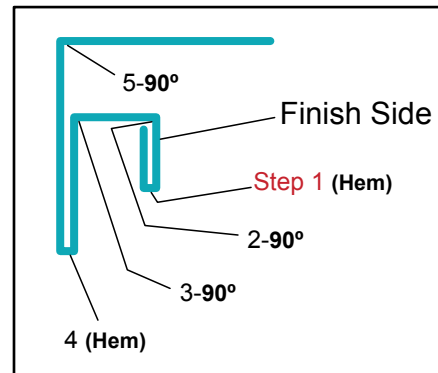
Soffit Miter



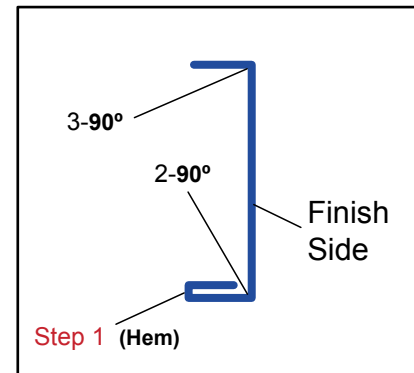
Window Casing



Inside Corner



Fascia



Drip Edge

